

**FIRE DETECTION TUBE FITTINGS**  
TECHNICAL DATA SHEET -



AutoFireX® Fire Detection Tube utilises specifically designed Dual Seal Tube fittings and connectors having NBR-O rings for secure sealing and quick connection to the tube.

Description	Slip on Union Threaded	Slip on Elbow Threaded	Slip on Tee Threaded	Slip on Tee (Tube only)	Slip on Elbow (tube only)	Slip on inline (tube only)
<b>Part Number</b>	2000101	200102	200103	200104	200105	20016
<b>Material</b>	High grade Brass Nickle plated	High grade Brass Nickle plated	High grade Brass Nickle plated	High grade Brass Nickle plated	High grade Brass Nickle plated	High grade Brass Nickle plated
<b>Thread Size/ ID/OD</b>	1/8" BSP 6mm/4mm	1/8" BSP 6mm/4mm	1/8" BSP 6mm/4mm	6mm/4mm	6mm/4mm	6mm/4mm
<b>Operating Pressure</b>	15-25 Bar	15-25 Bar	15-25 Bar	15-25 Bar	15-25 Bar	15-25 Bar
<b>Max Pressure</b>	60 Bar	60 Bar	60 Bar	60 Bar	60 Bar	60 Bar
<b>Operating Temp.</b>	-20°C to +80°C	-20°C to +80°C	-20°C to +80°C	-20°C to +80°C	-20°C to +80°C	-20°C to +80°C

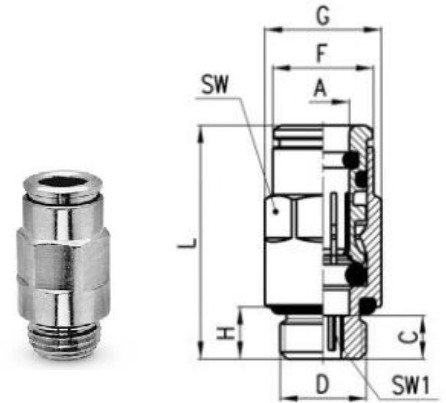


# AutoFireX

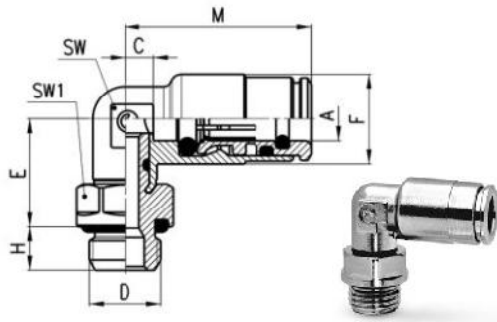
Automatic Fire Suppression systems

## BSP Male Connector- AFX-200101

DIMENSIONS										
Product Code	A	D	C	F	G	H	L	SW	SW1	Weight(g)
AFX-200101 6-1/8	6	G/8	5	11.7	13.5	6	27	12	4	15



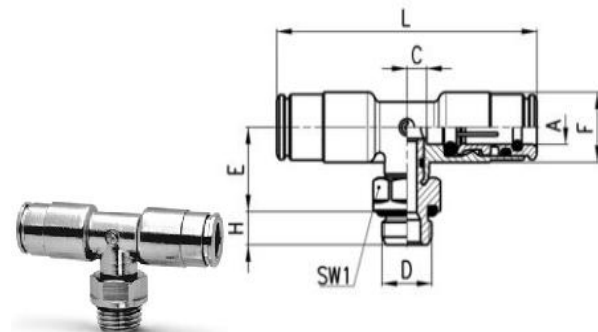
## BSP SWIVEL MALE ELBOW – AFX-200102



DIMENSIONS										
Product Code	A	D	C	F	G	H	L	SW	SW1	Weight(g)
AFX-200102 6-1/8	6	G/8	4	15	12.5	6	26	10	12	23

## BSP SWIVEL MALE TEE – AFX-200103

DIMENSIONS										
Product Code	A	D	C	F	G	H	L	SW	SW1	Weight(g)
AFX-200103 6-1/8	6	G/8	4	15	12.5	6	26	10	12	23



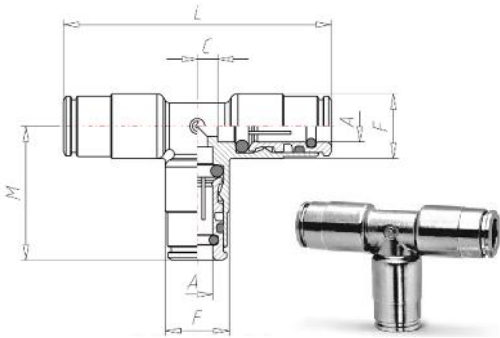
[www.autofirex.co.uk](http://www.autofirex.co.uk)

AutoFireX Limited. Regd. Office 12, High Street, Stonehouse, England, Gloucestershire, GL10 2NA, United Kingdom  
Company Registration No. 11553258; VAT Registration No. 305 7385 04



**AutoFireX**  
Automatic Fire Suppression systems

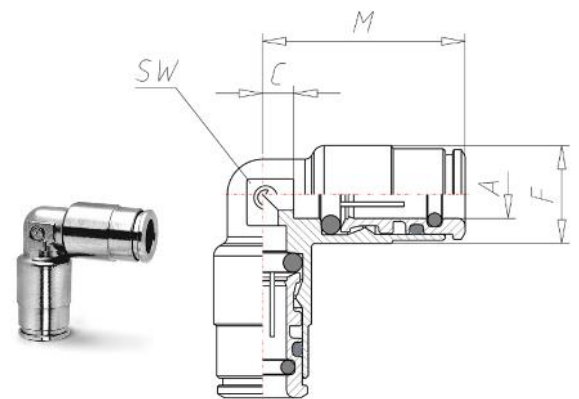
**DUAL SEAL SLIP ON TEE CONNECTOR (TUBE) – AFX-200104**



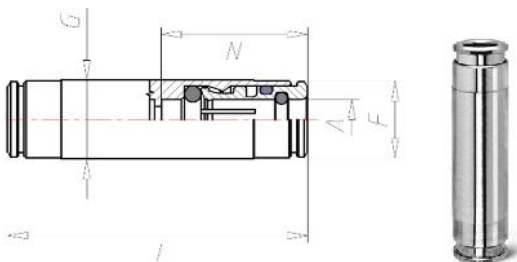
DIMENSIONS										
Product Code	A	D	C	F	G	M	L	SW	SW1	Weight(g)
<b>AFX-200104</b> <b>6-1/8</b>	6	G/8	4	12.5	12.5	26	52	-	-	23

**DUAL SEAL SLIP ON ELBOW (TUBE) – AFX-200105**

DIMENSIONS										
Product Code	A	D	C	F	G	H	L	SW	SW1	Weight(g)
<b>AFX-200105</b> <b>6-1/8</b>	6	-	4	12.5	-	6	26	10	-	23



**DUAL SEAL SLIP ON LINE CONNECTOR (TUBE) – AFX-200106**



DIMENSIONS										
Product Code	A	D	C	F	G	H	L	N	SW1	Weight(g)
<b>AFX-200106</b> <b>6-1/8</b>	6	-	4	11.7	12	6	45		10	23

[www.autofirex.co.uk](http://www.autofirex.co.uk)

AutoFireX Limited. Regd. Office 12, High Street, Stonehouse, England, Gloucestershire, GL10 2NA, United Kingdom  
Company Registration No. 11553258; VAT Registration No. 305 7385 04



# AutoFireX

Automatic Fire Suppression Systems

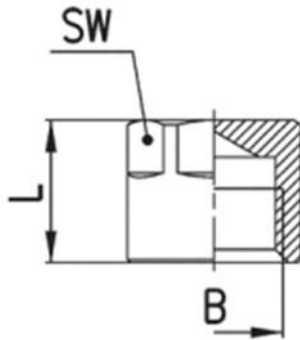
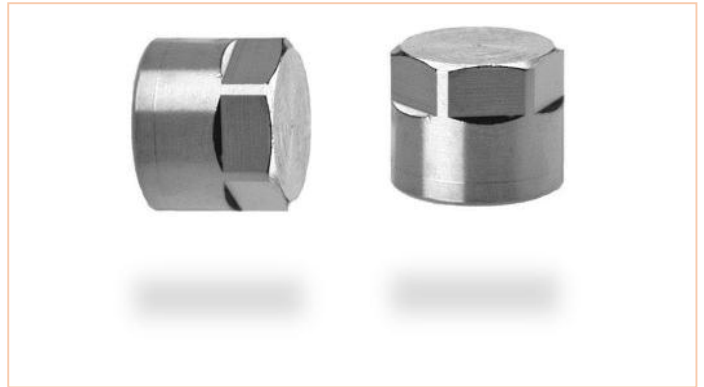
## END PLUG -EP Female Adaptor-blanking nut-1/8 BSP thread

### Technical Data Sheet

AutoFireX® End Plug (EP) is primarily an end of line termination/ blanking nut female adaptor- component which is attached to a G 1/8” Threaded Slip-on Dual seal push in Union as a termination end connection to a detection line (Pneumatic Fire detection tube). It’s made of Brass- Nickle chrome coated and tested to withstand up to 20 Bar Pressure.

### Key Features

- Made from High Grade Brass- Nickle Chrome plated.
- Tested to 20 Bar.
- Threaded end for connecting to G 1/8” Dual Seal Slip on Union for FDT termination.



<b>Description</b>	<b>AFX-EP</b>
<b>Part Number</b>	200135
<b>Material</b>	Brass- Nickle Chrome coated
<b>Thread Size</b>	G 1/8”
<b>Operating Pressure</b>	0-20 Bar
<b>Operating Temperature</b>	-50°C to +150°C
<b>Tube connection</b>	6mm
<b>Hex Flat</b>	SW12

DIMENSIONS				
Product Code	B	L (mm)	SW (mm)	Weight (g)
<b>AFX-200135</b> <b>6-1/8</b>	G1/8	11	12	6

TYPICAL DIMENSIONS FOR EP

### INSTALLATION COMPATIBILITY:

AutoFireX® EP are designed to be compatible with the following systems and devices:

#### SYSTEMS:

- FDT tube termination for DLP Systems with Low-Pressure Fire suppression agents (FK-5-1-12, HFC227ea, FE36, Dry Powders, Foams)
- FDT tube termination for ILP Systems with all Low-Pressure Fire suppression agents (FK5-1-12, HFC227ea, FE36, Dry Powders, Foam, wet chemicals, water)