



AutoFireX
Automatic Fire Suppression Systems

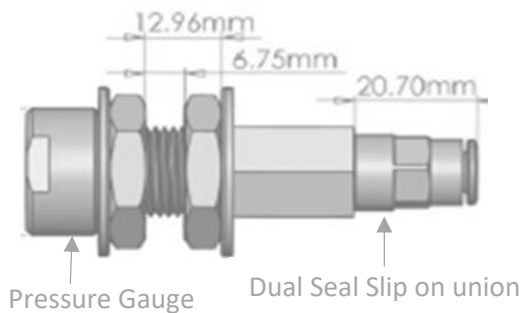
END OF LINE ADAPTOR -EOL

Technical Data Sheet

AutoFireX® End of Line (EOL) adaptor is primarily an end of line termination cum monitoring component which is attached to the detection line (Pneumatic Fire detection tube) and it comes complete with a pressure gauge which allows the system pressure to be monitored visually /status reporting and also recharge/ pressurise of the tube and commissioning, and system pressure checks as well. The EOL has an integrated internal Schrader valve that allow for the safe removal of pressure gauge and attaching charging adaptors even in charged condition. It comes with a dual seal quick connect slip on union to effortlessly connect the detection tube.

Key Features

- Made from High Grade Brass- Nickle Chrome plated.
- AutoFireX® Pressure gauge (removable) as standard
- Tested to 20 Bar.
- Integrated Schrader Valve Core
- Adaptable outlet Port for connecting adaptor for recharge/ commissioning and system monitoring.



TYPICAL DIMENSIONS FOR EOL

Description	AFX-EOL
Part Number	200121
Material	Brass- Nickle Chrome coated
Thread Size	G 1/8"
Operating Pressure	0-20 Bar
Operating Temperature	-50°C to +150°C
Tube connection	6mm
Length	71 mm
Hex Flat	SW12

INSTALLATION COMPATIBILITY:

AutoFireX® EOL are designed to be compatible with the following systems and devices:

SYSTEMS:

- DLP Systems with Low-Pressure Fire suppression agents (FK-5-1-12, HFC227ea, FE36, Dry Powders, Foams)
- ILP Systems with all Low-Pressure Fire suppression agents (FK5-1-12, HFC227ea, FE36, Dry Powders, Foam, wet chemicals, water)
- Heat/Fire Detection tube – 6mm dia.