

#### Features

##### 4100ES Series MINIPLEX transponders allow remotely located initiating and notification functions:

- Transponder operation is available as standard or with local mode operation
- Communications with the host fire alarm control panel use the Remote Unit Interface (RUI) format

##### Initiating functions include:

- Conventional initiating device circuit (IDC) support
- Addressable device support including TrueAlarm analog sensor compatibility

##### Notification functions include:

- Conventional DC notification appliance circuits including TrueAlert strobe and horn appliances
- Emergency voice/alarm communications

##### Local mode operation provides:

- Default local initiating and notification operation in the event of a communications loss with the host control panel
- Enabling of an optional Local Mode Controller with a local alarm sounder, LED status indicators, and keyswitch enabled control switches
- Support for IDNet addressable devices, conventional notification appliances, and default output tones from local amplifiers

##### Optional modules include:

- Digital or Analog audio riser modules for connection to system audio signals
- Digital or analog input audio amplifiers with integral on-board NACs
- Power supplies with or without battery chargers
- City Connect modules and RS-232 ports for printers or maintenance terminals
- Alarm relays, auxiliary relays, additional IDC modules, and NAC expansion modules

##### NEMA 1/IP30 cabinets are equipped with solid doors (platinum or red) and in one, two, or three bay sizes

##### Listed to:

- UL 864, Fire Detection and Control (UOJZ), and Smoke Control Service (UUKL)
- UL 2017, Process Management Equipment (QVAX)
- UL 1076, Proprietary Alarm Units-Burglar (APOU)
- UL 1730, Smoke Detector Monitor (UULH)
- UL 2572, Mass Notification Systems (PGWM)
- ULC S527, Control Units for Fire Alarm Systems

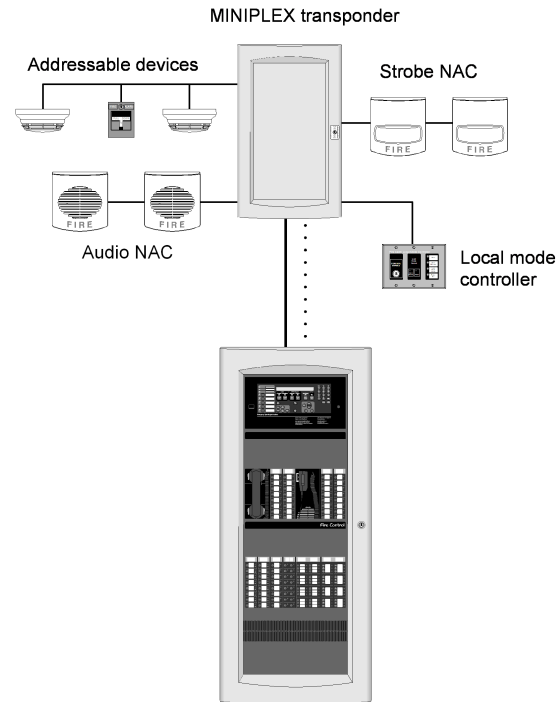


Figure 1: Typical 4100ES MINIPLEX System One-Line Drawing

#### Introduction

**4100ES MINIPLEX transponders** connect to a host 4100ES Fire Alarm Control Panel using Simplex remote unit interface (RUI) communications. At the transponder, RUI communications are received by the transponder interface module and translated into the same internal communications format that is used in the host control panel.

**Remotely located modules.** With RUI communications, the transponder can remotely provide the same initiating and notification functions that occur at the host control panel without requiring multiple long distance wiring runs. Connections to the host panel are low current communications and audio wiring with distances up to 2500 ft (762 m).

**4100U Series Products Note.** The system modules and features listed in this data sheet are both compatible with, and listed for use with 4100U series fire alarm control panels. Contact your local Simplex product supplier for details.

Please refer to document [S4100-0031](#) and the other documents listed in [Additional 4100ES Product Reference](#) for additional information concerning the extensive initiating and notification features of the 4100ES fire alarm control panels.

\* See pages 4 and 5 for product that is listed as UL or ULC. This product has been approved by the California State Fire Marshal (CSFM) pursuant to Section 13144.1 of the California Health and Safety Code. See CSFM Listing 7165-0026 :251 for allowable values and/or conditions concerning material presented in this document. Accepted for use – City of New York Department of Buildings – MEA35-93E. Additional listings may be applicable; contact your local Simplex product supplier for the latest status. Listings and approvals under Simplex Time Recorder Co. are the property of Tyco Fire Protection Products.

## Module Bay Description

**Transponder model 4100-9600** includes a bay assembly, a power distribution interface module (PDI), a Basic Transponder Interface Module, and an interconnect harness. Communications with the host fire alarm control panel are via a Remote Unit Interface (RUI) connection that allows for up to 2500 ft (762 m) distance. RUI can communicate with up to a total of 31 remote devices and can be either Style 4 or Style 7 communications.

**Transponder model 4100-9601** substitutes a Local Mode Transponder Module for the Basic Transponder Module.

**Optional Expansion Bays** each include a PDI and accept a variety of optional modules (refer to tables from [MINIPLEX Transponder Product Selection](#) onwards).

**The Battery Compartment** (bottom) accepts two batteries, up to 50 Ah, that can be mounted within the cabinet. Battery mounting does not interfere with available module space. A power supply with battery charger is required for each battery set.

## Packaging Availability

- Modules are power-limited (except as noted, such as relay modules)
- Enclosure are available for one, two, or three bay sizes or for cabinet rack mounting
- NEMA 1/IP30 boxes and solid doors are available in platinum or red (ordered separately)
- Up to eight close-nippled cabinets can be connected at one transponder location (close-nippled is mounted within 20 ft (6 m) and with interconnecting wiring enclosed in conduit)
- Refer to document [S4100-0037](#) for enclosure details.

## Local Mode Control Operation

**Default Stand-Alone Operation.** In the event of a communications loss with the host fire alarm control panel, model 4100-9601 MINIPLEX Local Mode Transponders provide fire alarm response default operation for its connected devices and appliances per the following:

**Input Operation.** During local mode operation, TrueAlarm initiating devices connected to the transponder will cause an alarm at their least sensitive alarm threshold.

- Photoelectric sensors will alarm at 3.7%/ft smoke obscuration
- Ionization sensors will alarm at 1.3%/ft obscuration
- Heat sensors will alarm at a fixed temperature of 135 °F (57 °C)
- TrueAlarm device LEDs will be activated to indicate a device in alarm

**Notification Operation.** Fire alarm conditions reported against a fire alarm point type within a transponder in local mode will cause all notification appliance circuits in that transponder to:

- Sound a general alarm temporal pattern horn tone
- Activate visible notification appliance circuits

**Local Mode Module Support.** Local mode operation provides support for the following 4100ES modules:

- System Power Supplies (SPS), Expansion Power Supplies (XPS), and Remote Power Supplies (RPS), including on-board notification appliance circuits (NACs) and expansion signal modules, operated at a temporal pattern,
- IDNet addressable device circuits, including those on-board the SPS, and communications from IDNet 2 and IDNet 2+2 modules
- 4100ES amplifiers will provide their on-board horn tones (500 Hz) at a temporal pattern through their on-board amplifier NACs

**Local Mode Operation Module Exclusion.** Modules not listed above but that are listed as compatible with MINIPLEX transponders per this document, do not interfere with local mode operation but **are not supported** during local mode operation.

## Local Mode Controller

**Operation.** During local mode operation, an optional Local Mode Controller will indicate status (see Figure 2) and can be enabled using a keyswitch to perform local alarm silence or reset. If alarms occurring during local mode are reset using a Local Mode Controller, upon restoration of communications, **those alarms will not be sent to the master controller.** If alarms are still present upon restoration of communications, then the alarm condition will be reported and host fire alarm control panel programmed alarm functions will occur. When communications are re-established, the local mode transponder restores automatically.

**Mounting.** Local Mode Controllers are mounted on three-gang plates, are available in beige or red, and for either flush or semi-flush mounting. (See [Local Mode Controller](#) for details).

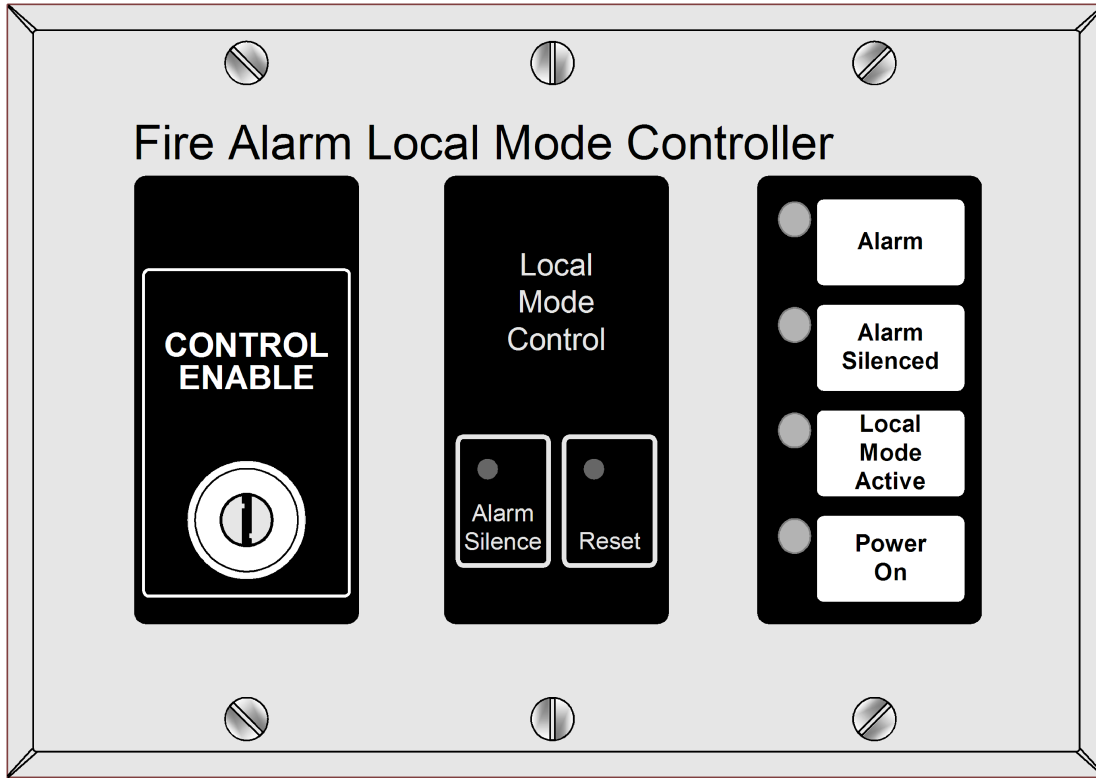
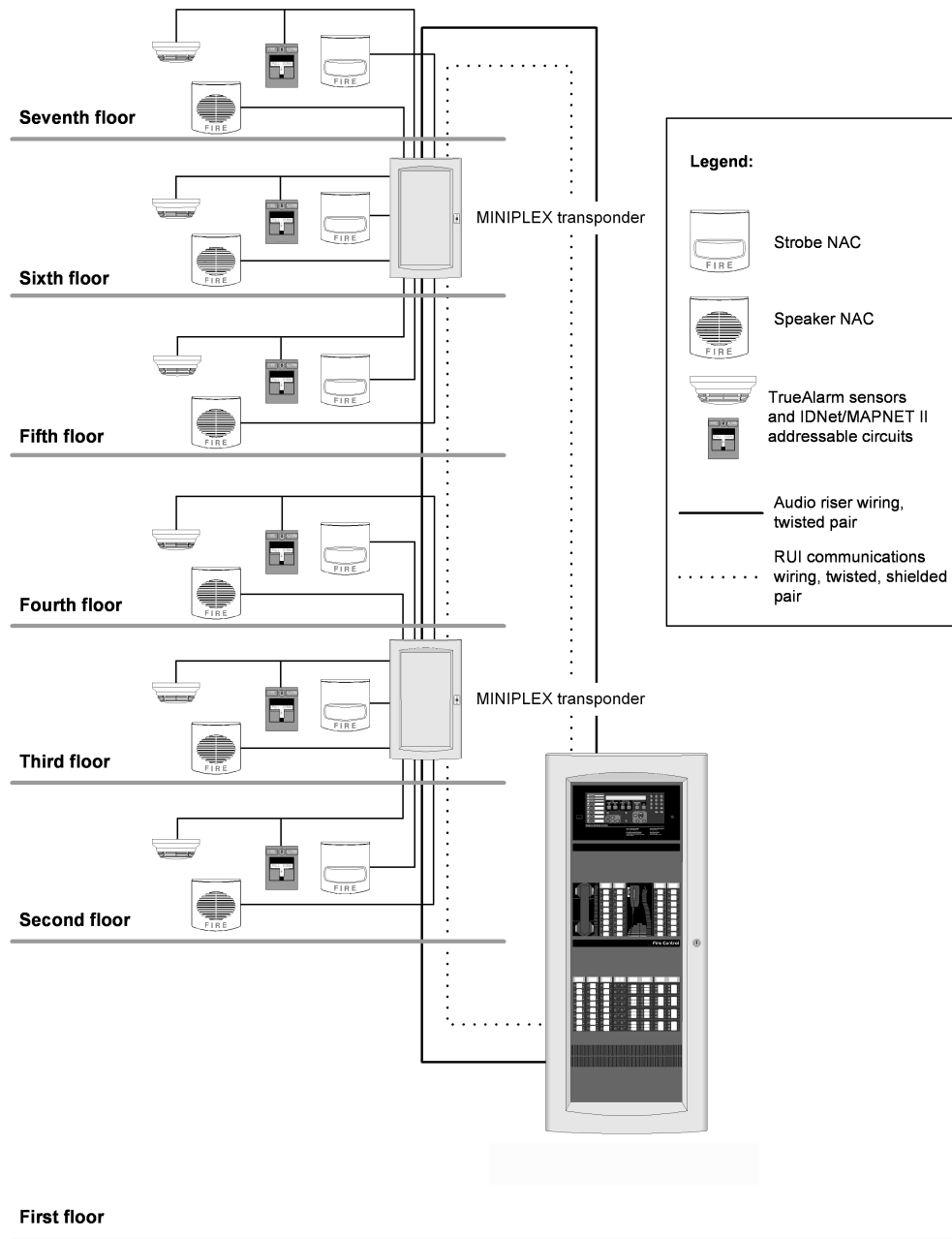


Figure 2: Local Mode Controller Module

Typical Multi-Floor MINIPLEX Audio System



**Additional 4100ES Product Reference**
**Table 1: Additional 4100ES Product Reference**

Subject	Datasheet
Battery and Battery Cabinet Reference for 4100ES	S2081-0006
110 Ah Batteries and Cabinets for 4100ES	S2081-0012
Seismic Battery Brackets Reference	S2081-0019
4100ES Basic Panels with SPS Power Supplies	S4100-0031
4100ES LED/Switch Modules & Printer	S4100-0032
NDU with SPS Power Supplies for 4120 Network	S4100-0036
4100ES Enclosures	S4100-0037
InfoAlarm Command Center with SPS Power Supplies	S4100-0045
NDU with SPS Power Supplies for ES Net	S4100-0077

**MINIPLEX Transponder Product Selection**
**Table 2: Transponder Type**

SKU	Description	Supv.	Alarm
4100-9600	Basic Transponder, includes bay equipment with power distribution interface, and 4100-0620 Basic Transponder Interface Module mounted in Block A	36 mA	36 mA
4100-9601	Local Mode Transponder, includes bay equipment with power distribution interface, and 4100-0625 Local Mode Transponder Interface Module mounted in Block A	normal	38 mA
		in local mode	23 mA

**Table 3: Local Mode Controller Selection**

SKU	Description			Supv.	Alarm
4601-9108	Flush mount	Red with white lettering	Local Mode Controller, 3-gang plate mounted; flush mount requires a 1 ½" (38 mm) deep 3-gang box; surface mount controllers include a matching mounting box; see <a href="#">Local Mode Controller Detail</a>	normal	44 mA
4601-9109	Surface mount				
4601-9110	Flush mount	Beige with black lettering		in local mode	44 mA
4601-9111	Surface mount				

**Table 4: Communication Modules**

SKU	Description			Size	Supv.	Alarm
4100-6031	<b>Select one per SPS</b>	City Circuit, with disconnect switches	For use with SPS only, not RPS	Mounts on SPS or RPS	20 mA	36 mA
4100-6032		City Circuit, without disconnect switches			20 mA	36 mA
4100-6033		Alarm Relay, 3 Form C relays, 2 A @ 32 VDC; for SPS or RPS			15 mA	37 mA
4100-6038	Dual RS-232 Interface			1 Slot	132 mA	132 mA
4100-6045	Decoder Module			3 Slots	85 mA	163 mA
4100-6048	VESDA Aspiration System Interface			1 Slot	132 mA	132 mA
4100-9816	Master Clock Interface Module with one standard RS-232 port (see <a href="#">S4100-0033</a> )			1 Slot	132 mA	132 mA

**Table 5: Expansion, System, and Remote Power Supplies and Accessories (XPS, SPS, AND RPS are rated 9 A for "Special Application" appliances, 3 A/NAC; and 5 A for "Regulated 24 DC" power, 2 A/NAC)**

SKU	Voltage/Listing		Description	Size	Supv.	Alarm
4100-5101	120 VAC	UL	<b>Expansion Power Supply (XPS);</b> 9 A output; 3 Class A/B NACs; Canadian models have low battery cutout*	2 Blocks	50 mA	50 mA
4100-5103	120 VAC, Canadian	ULC	<b>Expansion Power Supply (XPS);</b> 9 A output; 3 Class A/B NACs; Canadian models have low battery cutout*	2 Blocks	50 mA	50 mA
4100-5102	220-240 VAC	UL	<b>Expansion Power Supply (XPS);</b> 9 A output; 3 Class A/B NACs; Canadian models have low battery cutout*	2 Blocks	50 mA	50 mA
4100-5115	NAC Expansion Module, 3 NACs, Class A/B, <b>mounts on XPS only</b>			N.A.	25 mA	25 mA
4100-5111	120 VAC	UL	<b>System Power Supply (SPS);</b> 9 A power supply/charger with 250 point IDNet channel; 3 Class A/B NACs; expansion slot for City Circuit or Alarm Relay option; Canadian model has low battery cutout*	4 Blocks	175 mA	185 mA
4100-5112	120 VAC, Canadian	ULC	<b>System Power Supply (SPS);</b> 9 A power supply/charger with 250 point IDNet channel; 3 Class A/B NACs; expansion slot for City Circuit or Alarm Relay option; Canadian model has low battery cutout*	4 Blocks	175 mA	185 mA

## Addressable Fire Detection and Control MINIPLEX Transponders

**Table 5: Expansion, System, and Remote Power Supplies and Accessories (XPS, SPS, AND RPS are rated 9 A for "Special Application" appliances, 3 A/NAC; and 5 A for "Regulated 24 DC" power, 2 A/NAC)**

SKU	Voltage/Listing		Description	Size	Supv.	Alarm
4100-5113	220-240 VAC	UL	<b>System Power Supply (SPS);</b> 9 A power supply/charger with 250 point IDNet channel; 3 Class A/B NACs; expansion slot for City Circuit or Alarm Relay option; Canadian model has low battery cutout*	4 Blocks	175 mA	185 mA
4100-5125	120 VAC	UL	<b>Remote Power Supply (RPS);</b> 9 A power supply/charger similar to SPS except no IDNet channel or City Circuits; will accept one 4100-6033 ; Canadian model has low battery cutout*	4 Blocks	150 mA	185 mA
4100-5126	120 VAC, Canadian	ULC	<b>Remote Power Supply (RPS);</b> 9 A power supply/charger similar to SPS except no IDNet channel or City Circuits; will accept one 4100-6033; Canadian model has low battery cutout*	4 Blocks	150 mA	185 mA
4100-5127	220-240 VAC	UL	<b>Remote Power Supply (RPS);</b> 9 A power supply/charger similar to SPS except no IDNet channel or City Circuits; will accept one 4100-6033 ; Canadian model has low battery cutout*	4 Blocks	150 mA	185 mA
4100-5152	12 VDC Power Option, 2 A maximum			1 Block	1.5 A maximum	
4100-0636	Box Interconnection Harness Kit (non-audio); <b>order one for each close-nipped cabinet</b>					
<b>Special Application Appliances</b>	Simplex 4901, 4903, 4904, and 4906 Series horns, strobes, and combination horn/strobes and speaker/strobes (contact your Simplex product representative for compatible appliances)					
<b>Regulated 24 DC Appliances</b>	Power for other UL listed appliances; use associated external synchronization modules where required					

\* Standard power supply NACs can provide synchronized strobe or SmartSync, two-wire operation.

**Table 6: Miscellaneous Options and Accessories**

Model	Description
4100-1290	24 Point I/O Module for external connections, select each point as either a switch input (momentary or maintained) or an output (for lamp/LED/relay); requires 1 Slot (refer to data sheet <b>S4100-0032</b> for additional information)
4100-0632	Terminal Block Utility Module with 2, 16 position terminal blocks on 4" x 5" single block, for of up to 12 AWG wire (3.31 mm <sup>2</sup> )
4100-0633	Door Tamper Switch, connects into Transponder Interface Module, one per cabinet assembly if required
4100-0634	120 VAC Power Distribution Module (PDM) select per system voltage; one required per box
4100-0635	220/230/240 VAC Power Distribution Module (PDM) select per system voltage; one required per box
4100-9837	Green LED Power-on Indicator Kit, required for ULC listing of MINIPLEX transponder; mounts on solid door knockout
2081-9031	Series resistor for WSO, IDCs (N.O. water flow and tamper on same circuit, wires after water flow and before tamper) 470 Ω, 1 W, encapsulated, two 18 AWG leads (0.82 mm <sup>2</sup> ), 2 ½" L x 1 ¾" W x 1" H (64 mm x 35 mm x 25 mm)

**Table 7: Audio Riser Modules**

SKU	Description	Size	Supv.	Alarm
4100-0621	Dual Channel <b>Analog</b> Audio Riser Module; accepts one or two separate audio signals from host control panel; mounts in Block B, is controlled by Transponder Interface Module	1 Block	0 mA	15 mA
4100-0622	3-8 Channel <b>Digital</b> Audio Riser Module; similar to analog module, except receives and decodes a digital input signal with up to eight audio channels; with Non-Alarm Audio input	1 Block	70 mA	70 mA

**Table 8: Analog Emergency Voice/Alarm Communications Equipment, Constant Supervision Compatible\***

SKU	Description		Details		
4100-1361	25 VRMS output	Flex-35, 35 W Amplifier, constant supervision compatible	Includes three on-board Class B audio NACs; power is supplied from an XPS, RPS, or SPS	NAC rating = 1.4 A	35 W, or 100 speakers
4100-1362	70.07 VRMS output			NAC rating = 0.5 A	
4100-1312	25 VRMS output	NAC rating = 2 A		50 W, or 100 speakers	
4100-1313	70.7 VRMS output	NAC rating = 0.707 A			

\* Refer to document S4100-0034 for additional audio information.

Addressable Fire Detection and Control MINIPLEX Transponders

**Table 9: 100 W Analog Amplifiers with Power Supply, Constant Supervision Compatible**

SKU/Output Voltage		Power Supply Input/Listing		Description	Details
25 VRMS	70.7 VRMS				
4100-1314	4100-1315	120 VAC, 60 Hz	UL	Primary 100 W Amplifier	Includes six, Class B audio NACs; NAC rating = 50 W or 100 speakers maximum; 2 A @ 25 VRMS; 1.4 A @ 70.7 VRMS
4100-1316	4100-1317	120 VAC, 60 Hz	ULC	Primary 100 W Amplifier	Includes six, Class B audio NACs; NAC rating = 50 W or 100 speakers maximum; 2 A @ 25 VRMS; 1.4 A @ 70.7 VRMS  ULC models have low battery dropout circuit
4100-1318	4100-1319	220/230/240 VAC, 50/60 Hz	UL	Primary 100 W Amplifier	Includes six, Class B audio NACs; NAC rating = 50 W or 100 speakers maximum; 2 A @ 25 VRMS; 1.4 A @ 70.7 VRMS
4100-1320	4100-1321	120 VAC, 60 Hz	UL	Backup 100 W Amplifier	Uses the six Class B NACs of primary amplifier
4100-1322	4100-1323	120 VAC, 60 Hz	ULC	Backup 100 W Amplifier	Uses the six Class B NACs of primary amplifier  ULC models have low battery dropout circuit
4100-1324	4100-1325	220/230/240 VAC, 50/60 Hz	UL	Backup 100 W Amplifier	Uses the six Class B NACs of primary amplifier

**Table 10: Digital Emergency Voice/Alarm Communications Equipment\***

Model	Description	Details	
4100-1363	25 VRMS output	Flex-35, 35 W Amplifier, constant supervision compatible	NAC rating = 1.4 A
4100-1364	70.07 VRMS output		NAC rating = 0.5 A
4100-1326	25 VRMS output	Flex-50, 50 W Amplifier, constant supervision compatible	NAC rating = 2 A
4100-1327	70.7 VRMS output		NAC rating = 0.707 A
Includes three on-board Class B audio NACs; power is supplied from an XPS, RPS, or SPS			
			35 W, or 100 speakers
			50 W, or 100 speakers

\* Refer to document S4100-0034 for additional audio information.

**Table 11: 100 W Digital Amplifiers with Power Supply, Constant Supervision Compatible**

SKU/Output Voltage		Power Supply Input/Listing		Description	Details
25 VRMS	70.7 VRMS				
4100-1328	4100-1329	120 VAC, 60 Hz	UL	Primary 100 W Amplifier	Includes six, Class B audio NACs; NAC rating = 50 W or 100 speakers maximum; 2 A @ 25 VRMS; 1.4 A @ 70.7 VRMS
4100-1330	4100-1331	120 VAC, 60 Hz	ULC	Primary 100 W Amplifier	Includes six, Class B audio NACs; NAC rating = 50 W or 100 speakers maximum; 2 A @ 25 VRMS; 1.4 A @ 70.7 VRMS  ULC models have low battery dropout circuit
4100-1332	4100-1333	220/230/240 VAC, 50/60 Hz	UL	Primary 100 W Amplifier	Includes six, Class B audio NACs; NAC rating = 50 W or 100 speakers maximum; 2 A @ 25 VRMS; 1.4 A @ 70.7 VRMS
4100-1334	4100-1335	120 VAC, 60 Hz	UL	Backup 100 W Amplifier	Uses the six Class B NACs of primary amplifier
4100-1336	4100-1337	120 VAC, 60 Hz	ULC	Backup 100 W Amplifier	Uses the six Class B NACs of primary amplifier  ULC models have low battery dropout circuit
4100-1338	4100-1339	220/230/240 VAC, 50/60 Hz	UL	Backup 100 W Amplifier	Uses the six Class B NACs of primary amplifier

## Addressable Fire Detection and Control MINIPLEX Transponders

**Table 12: Options for use with either Analog or Digital Amplifiers**

Model	Description	Details and Mounting Reference	
4100-1245	Flex-35/50 Expansion NAC Module; adds three Class B audio NACs	Choose one per amplifier	Mounts on Flex-35/50 assembly; NAC ratings = 1.5 A, 35/50 W, or 100 speakers maximum; <i>Supv = 8 mA, Alarm = 60 mA</i>
4100-1246	Flex-35/50 Class A Adapter Module; converts three on-board NACS to Class A operation		Mounts on Flex-35/50 assembly; NAC ratings = 2 A, 50 W, or 100 speakers maximum; <i>Supv = 10 mA, Alarm = 30 mA</i>
4100-1248	100 W Amplifier Expansion NAC Module; NAC ratings = 1.5 A, 50 W, or 100 speakers max.		Provides six additional Class B audio NACs, mounts on 100 W amplifier assembly; <i>Supv = 17 mA, Alarm = 60 mA</i>
4100-1249	100 W Class A Adapter Module; NAC ratings = 2 A, 50 W, or 100 speakers max.		Converts six on-board NACs to Class A operation, mounts on 100 W amplifier assembly; <i>Supv = 1 mA, Alarm = 60 mA</i>
4100-1259	25 VRMS Output; NAC rating = 2 A, 50 W, or 100 speakers max.	Constant Supervision Adapter for three NACs; select per amplifier output; not compatible with amplifier NAC expansion modules; deactivated when on batteries	<i>Supv = 10 mA on batteries; Alarm = 35 mA</i>
4100-1260	70.7 VRMS Output; NAC rating = 0.707 A, 50 W, or 100 speakers max.		<i>Supv = 38 mA on batteries; Alarm = 70 mA</i>
			Converts three Class B audio NACS to Class A or Class B Constant Supervision NACs; mounts on Flex-35/50 or 100 W amplifier assembly; use two for the six NACs on 100 W amplifiers

**Table 13: Firefighters Telephone Options**

SKU	Description	Size	Supv.	In Use
4100-1272	Expansion Telephone Control Module with three Class B telephone NACS; required when telephone circuits are mounted in transponder;	1 Block	80 mA	130 mA
4100-1273	Telephone Class A Adapter Module; mounts on 4100-1272; no additional current required			

**Table 14: General Audio Options**

Model	Description
4081-9018	End-of-line resistor harness for 70.7 VRMS NACs; 10 kΩ, 1 W
4100-2320	Audio Bay-to-Bay Interconnection Harness Kit; <b>order one for each audio bay addition</b>
4100-0637	Audio Box Interconnection Harness Kit; <b>order one for each close-nipped audio cabinet</b>

**Table 15: Audio Expansion Signal Module and Options**

Model	Description	Details and Mounting Reference	
4100-5116	Expansion Signal Module; three, 1.5 A Class B NACs for Audio applications; up to five maximum per amplifier; NAC rating = 1.5 A, 50 W, or 100 speakers maximum	Converts one NAC input to three NAC outputs; selects between two inputs; for Flex-35/50 amplifiers only, two input NACs are required; Single Block module mounts in expansion bay; <i>Supv = 20 mA; Alarm = 80 mA</i>	
4100-1266	Expansion Signal Module NAC Expander; NAC rating = 1.5 A, 50 W, or 100 speakers max.	Expands module capacity to six, Class B NACs; <i>Supv = 0.84 mA; Alarm = 60 mA</i>	These modules mount on the 4100-5116; select one max. per 4100-5116 as required
4100-1267	Expansion Signal Module Class A Adapter; NAC rating = 1.5 A, 50 W, or 100 speakers maximum	Converts 3 Class B, NACs to Class A; <i>Supv = 0 mA; Alarm = 30 mA</i>	
4100-1268	Expansion Signal Module Constant Supervision Adapter; Converts 3 Class B NACs to Constant Supervision Class B or Class A NACs; for 25 VRMS or 70.7 VRMS audio	NAC rating = 1.4 A, 50 W, or 100 speakers max.; <i>Supv = 38 mA on batteries (constant supervision deactivated); Alarm = 70 mA</i>	

**Table 16: Initiating Device Circuits (IDCs)**

Model	Description	Size	Supv.	Alarm
4100-5005	Eight zones, Class B	1 Slot	75 mA	195 mA
4100-5015	Eight zones, Class A	1 Slot	75 mA	195 mA



## Addressable Fire Detection and Control MINIPLEX Transponders

**Table 17: Addressable Interface Modules**

Model	Description	Devices	Supv.	Alarm
4100-3109*	<b>IDNet 2 Module</b> , 250 point capacity; electrically isolated output with <b>two</b> short circuit isolating Class B or Class A output loops, 1 block; standard on EPS with IDNet 2 Module	no devices	50 mA	60 mA
		50 devices	90 mA	150 mA
		125 devices	150 mA	225 mA
		250 devices	250 mA	350 mA
4100-3110*	<b>IDNet 2+2 Module</b> , 250 point capacity; electrically isolated output with <b>four</b> short circuit isolating Class B or Class A output loops, 1 block; mounts in expansion bay or available master controller bay module locations only, not applicable for EPS mounting	no devices	50 mA	60 mA
		50 devices	90 mA	150 mA
		125 devices	150 mA	225 mA
		250 devices	250 mA	350 mA
4100-3111*	<b>IDNet Short Circuit Isolating Loop Output Module; for Aftermarket Field Installation Only;</b> mount up to two on a 4100-3109 module; for use with 4100-3109 modules only			
4100-3102	MAPNET II Module, 127 point capacity, add devices separately; Module size = 2 Slots; Loading per MAPNET II device = 1.7 mA	Module without devices	255 mA	275 mA
4100-3103	Isolator Module for MAPNET II communications; converts a single connected SLC into four isolated outputs selectable as Class A or Class B; up to two Isolator Modules can be connected to one SLC; Module size = 1 Slot; <b>Note:</b> Compatible with MAPNET II Remote Isolators only		50 mA	50 mA

\*Note: Loading per IDNet device (no LEDs on) = 0.8 mA supervisory and 1 m A alarm.

**Table 18: Relay Modules; Non-power-limited**

Model	Description	Resistive Ratings		Inductive Ratings		Size	Supv.	Alarm
4100-3202	4 DPDT w/ feedback	10 A	250 VAC	10 A	250 VAC	2 Slots	15 mA	175 mA
4100-3204	4 DPDT w/ feedback	2 A	30 VDC/VAC	½ A	30 VDC/120 VAC	1 Block	15 mA	60 mA
4100-3206	8 SPDT	3 A	30 VDC/120 VAC	1 ½ A	30 VDC/120 VAC	1 Block	15 mA	190 mA

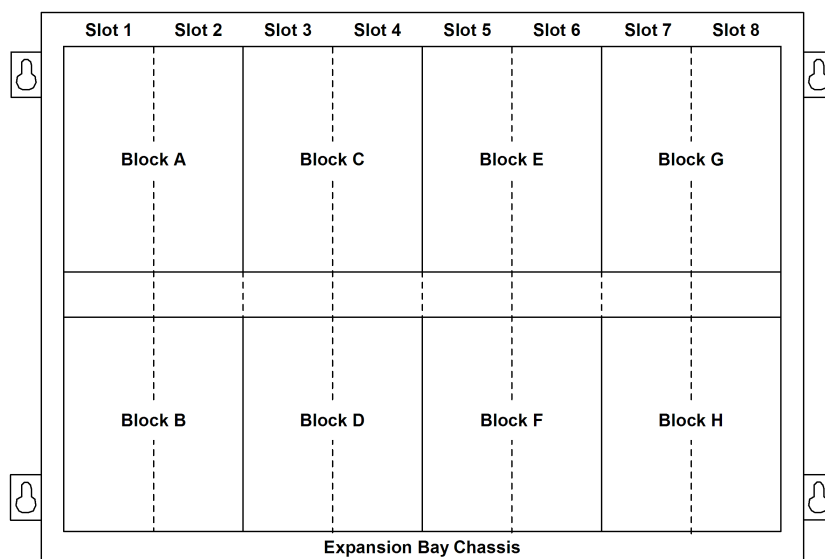
**Current Calculation Notes:**

1. For total supervisory current, add panel module currents to base system **and** add all external loads panel-powered loads.
2. For total alarm current, add panel module currents to base system alarm current **and** add all panel NAC loads **and** all external loads powered from panel power supplies.

### General Specifications

**Table 19: Specifications**

Specification	Rating		
<b>Input Power</b> [System (SPS); Expansion (XPS); Remote (RPS); and 100 W amplifiers]	120 VAC Models	4 A maximum @ 102 to 132 VAC, 60 Hz	
	220-240 VAC Models	2 A maximum @ 204 to 264 VAC, 50/60 Hz; separate taps for 220/230/240 VAC	
<b>Power Supply Output Ratings for SPS, XPS, and RPS</b> (nominal 28 VDC on AC; 24 VDC on battery backup)	Total Power Supply Output Rating	<b>Including module currents and auxiliary power outputs;</b> 9 A total for "Special Application" appliances; 4 A total for "Regulated 24 DC" power	Output switches to battery backup during mains AC failure or brownout conditions
	Auxiliary Power Tap		
	NACs Programmed for Auxiliary Power	2 A maximum per NAC; 5 A maximum total	Rated 19.1 to 31.1 VDC
<b>Battery Charger Ratings for SPS and RPS</b> (sealed lead-acid batteries)	Battery capacity range	UL listed for battery charging of 6.2 Ah up to 110 Ah (batteries larger than 50 Ah require a remote battery cabinet); ULC listed for charging up to 50 Ah batteries	
	Charger characteristics and performance	Temperature compensated, dual rate, recharges depleted batteries within 48 hours per UL Standard 864, to 70% capacity in 12 hours per ULC Standard S527	
<b>Environmental</b>	Operating Temp. Range	32 °F to 120 °F (0 °C to 49 °C)	
	Operating Humidity Range	Up to 93% RH, non-condensing @ 90 °F (32 °C) maximum	
Installation Instruction Reference	574-844, Transponder Interface Cards		
Installation Instruction Reference	579-343, Local Mode Controller		

**Expansion Bay Module Loading Reference**


**Size Definitions:** Block = 4" W x 5" H (102 mm x 127 mm) card area  
 Slot = 2" W x 8" H (51 mm x 203 mm) motherboard with daughter card

Description		Mounting
Transponder Interface Modules		Block A
Audio Riser Modules		Block B
Terminal Block Module		1 Block
IDNet 2 and IDNet 2+2 Modules		1 Block
4, 2 A Relays	<b>NON Power-limited</b>	1 Block
4, 10 A Relays		4", 2 Slots
8, 3 A Relays		1 Block
VESDA Interface		2", 1 Slot
8 Point Zone/Relay Card		1 Block
Class B IDC		2", 1 Slot
Class A IDC		2", 1 Slot
MAPNET II Module		4", 2 Slots
MAPNET II Isolator		2", 1 Slot
Decoder Module		6", 3 Slots
System or Remote Power Supply		Blocks E, F, G & H ONLY
Expansion Power Supply		Blocks G & H ONLY
NAC Expansion Module		On XPS ONLY
Flex-35 Amplifiers, 2 max /bay*		Blocks E & F; C & D; or A & B
Flex-50 Amplifiers, 2 max/bay*		Blocks E & F or C & D
100 W Amplifiers, 1 max/bay		Blocks E, F, G & H
100 W Backup Amplifiers, 1 max. per bay with primary amplifier		Blocks A, B, C & D
Telephone Expansion Module		1 Block
Expansion Signal Module		1 Block
<b>Note:</b> * When mounting dual Flex amplifiers on an expansion bay, special mounting rules apply.		

## Local Mode Controller Detail

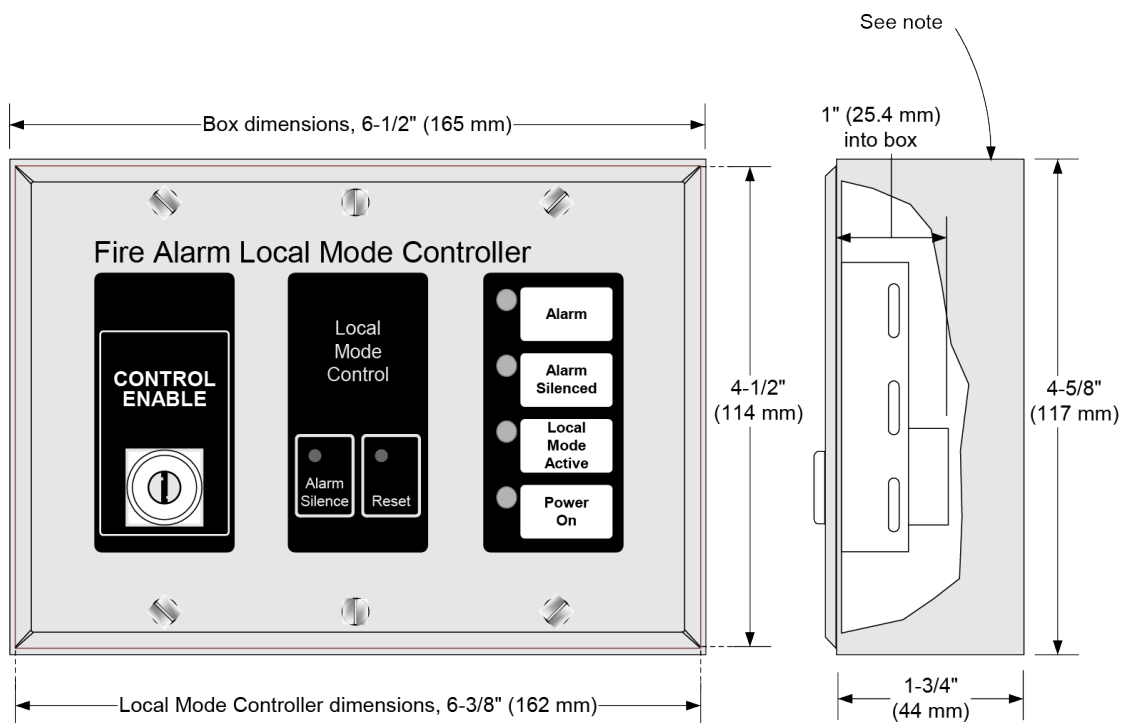
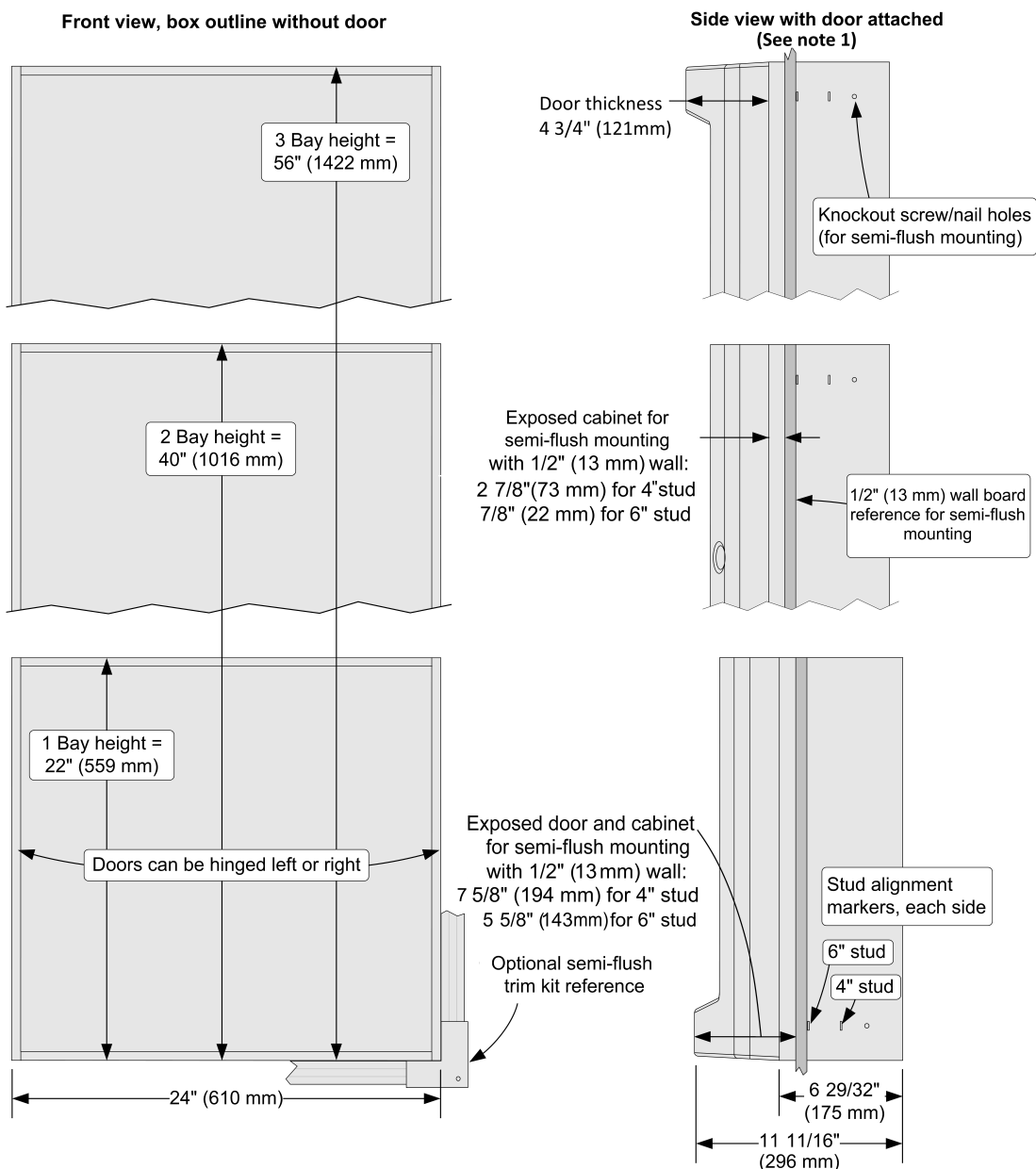


Figure 3: Local Mode Controller Detail

**Note:** Matching box is supplied with surface mount models 4601-9109 (red) and 4601-9111 (beige); for semi-flush models 4601-9108 (red) and 4601-9110 (beige), use a 1-1/2" (38 mm) minimum depth, 3-gang box.

**Local Mode Controller to Transponder Wiring:**

1. Wire close-nipped to transponder, maximum distance = 20 ft (6.1 m).
2. Nine wires required: 24 VDC (2), one per LED indicator (4), and one per switch (3).
3. Wire size, 18 AWG (0.82 mm<sup>2</sup>).

**Enclosure Installation Reference**

**Note:**

1. Side View dimensions are shown with minimal cabinet and door protrusion from the exterior wall. For 6 inch stud construction with minimum protrusion shown, the door will open 90 degrees. To allow the door to open 180 degrees, the exposed cabinet dimension from the exterior wall must be a minimum of 3 inches (76 mm) for both 4 inch and 6 inch stud construction.

2. A system ground must be provided for Earth Detection and transient protection devices. This connection shall be made to an approved, dedicated Earth connection per NFPA 70, Article 250, and NFPA 780.