

Features

Low current, 24 VDC Simplex® SmartSync operation electronic chime provide:

- Private mode chime tone for applications requiring audible notification of trained personnel
- Rugged, high impact, flame retardant thermoplastic housings, available in red with white “FIRE” lettering or white with red “FIRE” lettering
- Diode polarized input for connection to reverse polarity, supervised SmartSync control Notification Appliance Circuits (NACs)

SmartSync two-wire control of audible and visible notification appliance provides:

- SmartSync control of chime tone as Temporal Pattern, March Time pattern (at 60 BPM), or on continuously (at 60 BPM); controlled separately from visible appliances on the same circuit
- Visible appliances on the same circuit operate at a synchronized 1 Hz flash rate
- Refer to page 2 for SmartSync control list and additional operation information

TrueAlert notification appliance design provides flexible, easy, and convenient semi-flush or surface wall mounting:

- Easily mounts to single gang, double gang, or 4-inch square electrical box
- In/out wiring terminals, 18 AWG to 12 AWG
- Rear of housing does not extend into box

Optional Accessories:

- Mounting adapters to cover surface mounted electrical boxes and to adapt to Simplex 2975-9145 boxes
- UL listed wire guard 4905-9961
- Covers are available separately to change color or for replacement

Listings:

- Listed to UL 464 for private mode applications
- Listed to CSA standards for general signaling use in Canada (non-fire alarm applications)

* Refer to page 2 for guard listing. This product has been approved by the California State Fire Marshal (CSFM) pursuant to Section 13144.1 of the California Health and Safety Code. See CSFM Listing 7135-0026:334 for allowable values and/or conditions concerning material presented in this document. It is subject to re-examination, revision, and possible cancellation. Additional listings may be applicable; contact your local Simplex product supplier for the latest status. Listings and approvals under Simplex Time Recorder Co. are the property of Tyco Safety Products Westminster.

** SmartSync two-wire horn/strobe operation is protected under U.S. Patent No. 6,281,789.



TrueAlert Chimes are Available as White with Red Lettering or Red with White Lettering

Description

TrueAlert non-addressable chimes are private mode audible notification appliances for applications requiring notification of trained personnel instead of the general public. Typical applications would be in medical patient areas where the softer chime tones are less disruptive than conventional fire alarm audible notification.

SmartSync two-wire advantage. When selected for SmartSync mode, these chimes follow control signals carried on the same two-wire NAC circuit as fire alarm strobes. Using a two-wire control can significantly reduce installation time and expense for both retrofit and new construction.

Flexible mounting. Chimes can be semi-flush or surface mounted on a standard single gang, double gang, or 4” square (102 mm) electrical box. Optional accessories are available to increase mounting and application flexibility.

SmartSync Two-Wire Control

SmartSync operation mode allows a two-wire circuit to provide the ability to activate both the chime and strobe on the same NAC and then allow the chime to be silenced while the strobe remains flashing. The chime operates as “on-until-silenced” while the strobe operation is “on-until-reset.”

SmartSync Control Sources

SmartSync two-wire control is available from:

- 4006, 4008, 4100U, and 4010 Fire Alarm Control Panels (refer to individual product data sheets for more information)
- 4009 IDNet™ NAC Extenders (refer to data sheet S4009-0002)
- SmartSync Control Module (SCM) Model 4905-9938 (refer to data sheet S4905-0003)

Product Selection

Model	Cover	FIRE Lettering	Description	Dimensions
4902-9210	Red	White	TrueAlert non-addressable electronic chime	5-1/8" H x 5" W x 1-1/2" D (130 mm x 127 mm x 38 mm)
4902-9211	White	Red		

Adapters

Model	Description	Dimensions
4905-9937	Surface mount red adapter skirt	5-3/8" H x 5-1/4" W x 1-5/8" D (136 mm x 133 mm x 41 mm) Total depth with chime = 3-1/8" (79 mm)
4905-9940	Surface mount white adapter skirt	
4905-9931	Adapter Plate, red, for mounting to Simplex 2975-9145 box (typically for retrofit, may be mounted vertical or horizontal)	8-5/16" x 5-3/4" x 0.060" thick (211 mm x 146 mm x 1.5 mm)
2975-9145	Red mounting box, requires Adapter Plate 4905-9931	7-7/8" x 5-1/8" x 2-3/4" D (200 mm x 130 mm x 70 mm)

Synchronization Control Module

Model	Description	Dimensions
4905-9938	SmartSync Control Module, Class A or Class B, installs in 4" square box	4" x 4-1/8" x 1-1/4" D (102 mm x 105 mm x 32 mm)

Covers and Guard

Model	Description	Dimensions
4905-9988	Red chime cover with white “FIRE” lettering	5-1/8" H x 5" W x 1-1/2" D (130 mm x 127 mm x 38 mm)
4905-9989	White chime cover with red “FIRE” lettering	
4905-9961*	Wire guard with mounting plate, red, compatible with semi-flush or surface mounted boxes	6-1/16" H x 6-1/16" W x 3-1/8" D (154 mm x 154 mm x 79 mm)

* UL listed by Space Age Electronics Inc.

TrueAlert Non-Addressable Chime Specifications

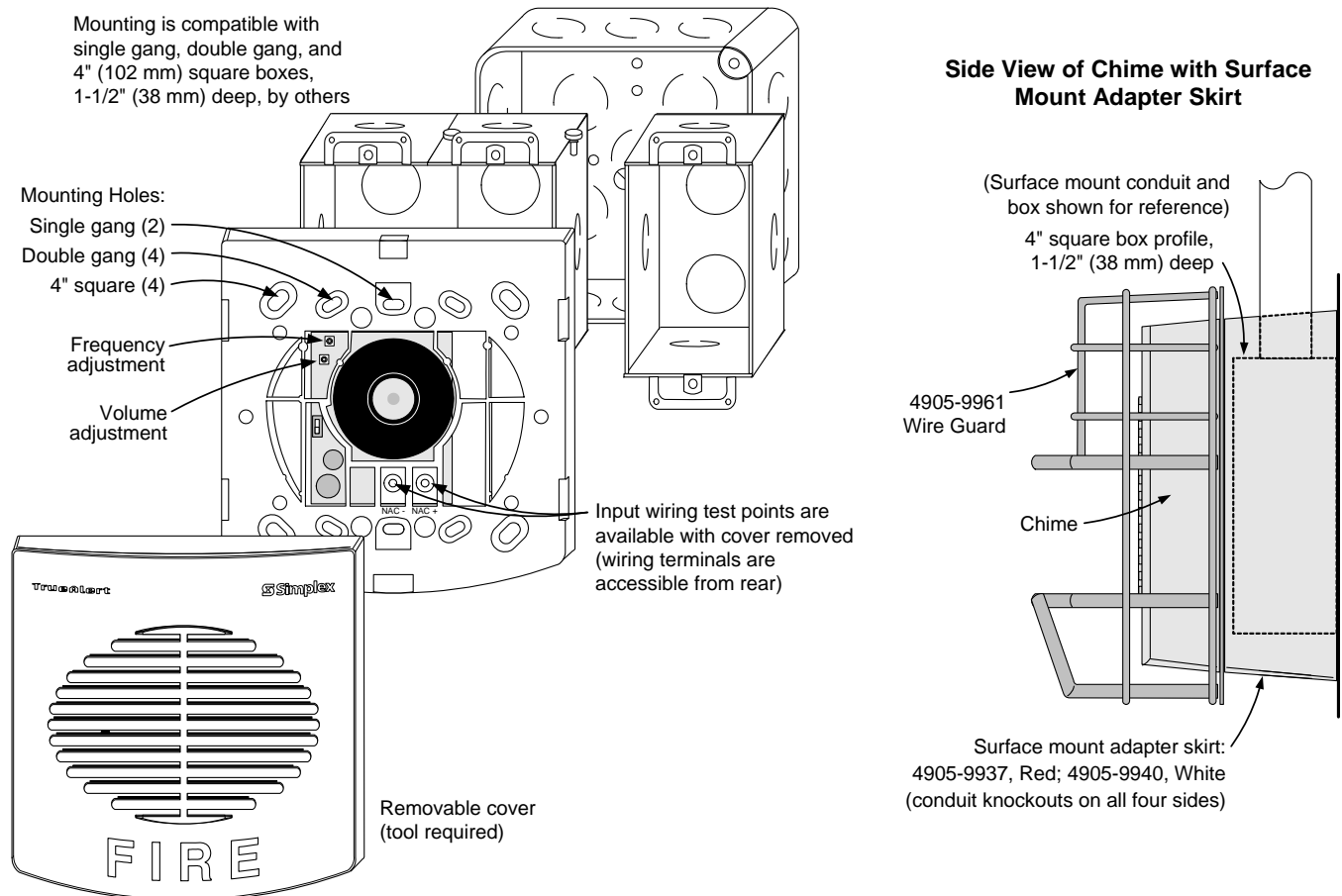
Rated Voltage Range	16 VDC to 33 VDC
Rated Current	15 mA
Chime Sound Output Characteristics*	Tone is adjustable from 750 Hz to 1300 Hz; factory setting is approximately 800 Hz Sound output is adjustable from 34 dBA to 63 dBA; factory setting is 63 dBA
Sound Output Ratings per UL 464 Reverberant Chamber test @ 10 ft (3 m)	63 dBA
Temperature Range	32° to 122° F (0° to 50° C)
Humidity Range	10% to 93%, non-condensing @ 100° F (38° C)
Connections	Terminal blocks for 18 AWG to 12 AWG (0.82 mm ² to 3.31 mm ²); two wires per terminal for in/out wiring

* Factory settings are recommended for most applications. Always test installed sound level against local requirements.

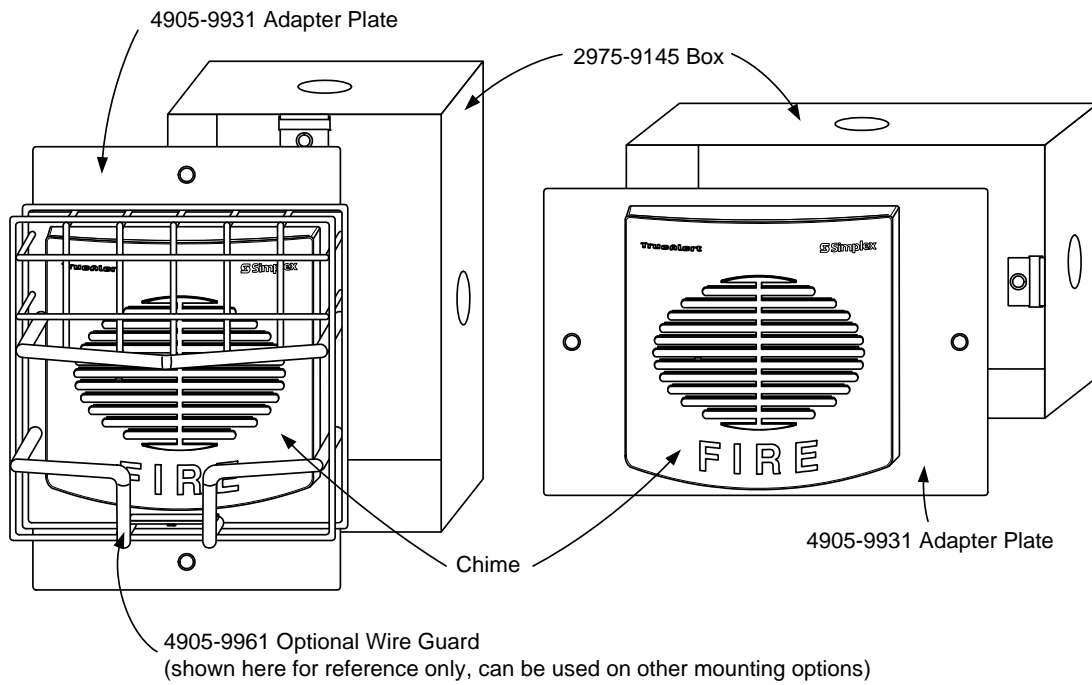
Installation Reference

For additional information, refer to Installation Instructions 579-868.

Surface or Semi-Flush Chime Mounting



4905-9931 Adapter Plate Installation Information



Tyco is a registered trademark of Tyco International Services GmbH and is used under license. Simplex, the Simplex logo, IDNet, TrueAlert, and SmartSync are trademarks of Tyco International Ltd. and its affiliates and are used under license.



Tyco Safety Products Westminster • Westminster, MA • 01441-0001 • USA
www.tycosafetyproducts-usa-wm.com

S4902-0004-1 4/2010

© 2010 Tyco Safety Products Westminster. All rights reserved. All specifications and other information shown were current as of document revision date and are subject to change without notice.