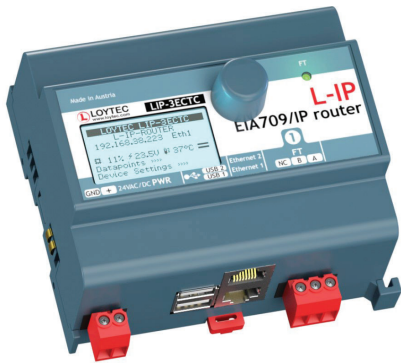


Addressable fire products

EC540 LON Range

EC541 – TCP-IP Converter, EC542 – LON Booster

EC541 TCP-IP Converter



The EC540 LON Range of modules includes smart switch technology, which has been tailored in these models for use with Eaton's fire system LON network.

Their purpose is to extend the distance possible when transmitting fire system data between control fire control panels; extended transmission distances are achieved via the fire system's LON network, with a further option to convert media from LON to TCP-IP.

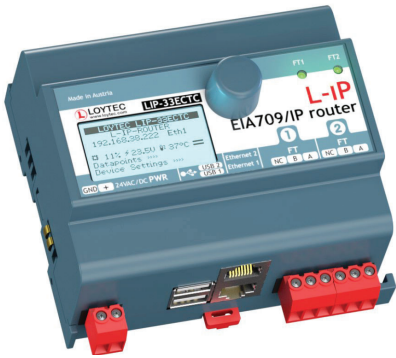
The EC541 is suitable for applications where Eaton's fire system data is required to be extended over TCP/IP.

The EC542 LON Network Booster is the solution to interconnect multiple channels and provide an extension of the network.

Key features

- Extends Eaton fire system network
- Plug and play
- No configuration required
- Simple to use

EC542 LON Booster



Technical specifications

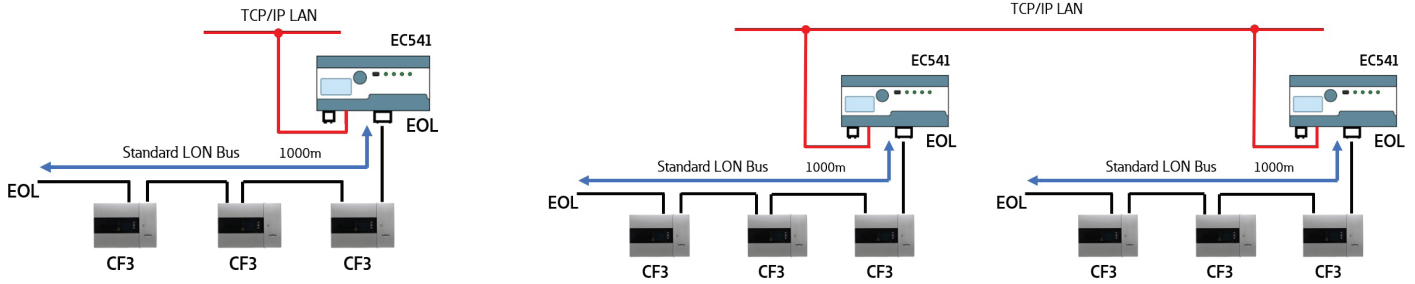
Model:	EC541 & EC542
Operating Voltage	24 VDC / VAC SELV +/- 10%, typ. 3W
Physical	
Dimensions (H x W x D)	100mm x 107mm x 75mm
Ingress protection	IP40 (enclosure) IP20 (screw terminals)
Weight	434 grams (boxed) 359 grams (unboxed)
Installation	DIN rail mounted or wall mounted
Configuration	Plug 'n' play
LON network EOL	120 Ω resistor
Environmental	
Temperature	Operating 0 to 50 °C Storage 0 to 50 °C
Relative humidity range	10 - 90%

Addressable fire products

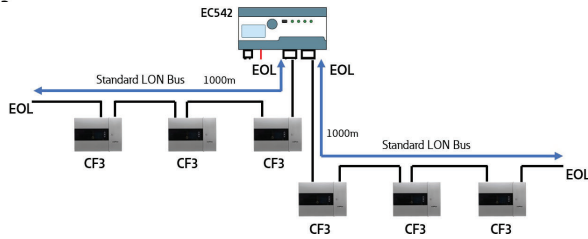
EC541 – TCP-IP Converter, EC542 – LON Booster

Typical system architecture

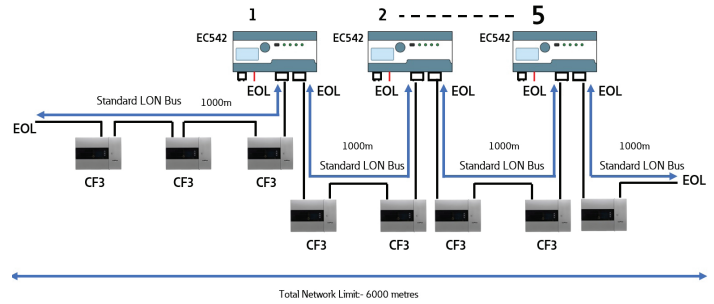
EC541 LON/TCP-IP application



EC542 Single module application



EC542 Multi module application



Note: Max 5 modules is permitted per LON bus network. EOL = 120Ω

Order codes

Description	Model reference	Order code
LON to TCP-IP CONVERTER	EC541	400032FIRE-0072
LON NETWORK BOOSTER	EC542	400033FIRE-0073

Note: All information correct at the time of writing. Eaton reserve the right to make changes to this information. Please contact Eaton if you have any queries.

Information is believed to be accurate, however no representation or warranty is given and Eaton assumes no liability with respect to the accuracy of such information. The information provided in this document is subject to change without notice.

Eaton Electrical Products Ltd
Llantarnam Park,
Cwmbran, NP44 3AW,
United Kingdom

© 2021 Eaton
All Rights Reserved
December 2021
Datasheet no.: DS0006-A

Eaton is a registered trademark.
All other trademarks are property
of their respective owners.

Follow us on social media to get the latest product and support information.

