



Description

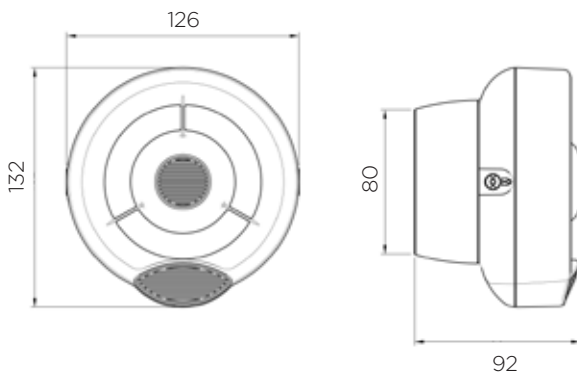
The FDCWS100AV Conventional Wall Sounder VAD forms the core of our EN54-23 modular visual alarm device (VAD) range. The unit can either be used as a standalone conventional device or as an intelligent unit by the addition of a wired module (FDALWSMOD) or wireless module (FDSGWSMOD).

All devices are weather proof therefore this combined with the modular approach means the majority of applications can be achieved with very few stock components. The unit is equipped with 3 levels of volume adjustment, high output LED beacon and 32 recognised tones which can be set via the control equipment or locally at the sounder.

Key features

- > Flexible modular design
- > 3rd party approval to EN54-3 (Type B) and EN54-23
- > 32 Tone Settings
- > Two stage alarm capability
- > Weatherproof as standard
- > Easy to install
- > Silent sounders setting for beacon only use
- > Microphone self test facility
- > Robust & high reliability

Technical information



Note: Also available in white.
 Functionality is dependant on the control equipment and module selection.
 Certified device performance may vary depending on the approval body.



Technical specification

Power supply voltage range	15Vdc - 40Vdc
Activated current load (High Vol.)	11-25 mA at 24 Vdc
Acoustic Frequency range	400-2900 Hz
Maximum acoustic Output	100dB(A) @ 1m
Visual Alarm Device Frequency	0.5 Hz or 1 Hz
EN54-23 Classification	W-2.5-7
Temperature range (no icing)	-25°C to +70°C
Unit weight (inc Back box)	290g
Max humidity (non condensing)	95% RH
Ingress Protection	Designed to meet IP 65

Standards & approvals

- > BS EN 54-3 (Type B): Fire Alarm Device, Sounders
- > BS EN 54-23: Fire Alarm Devices, Visual Alarm Devices

Teledata

20063 Cernusco sul Naviglio (MI) - Via Brescia 24 G - Italy
 Tel.: +39 02 27 201 352 - +39 02 25 92 795 | mail: info@teledata-i.com