

MACURCO™

BUILDING & HOME SOLUTIONS

Whether you are looking for gas detection for a security system, building automation or HVAC system, for personal safety or for monitoring specific gases in potentially hazardous environments, Macurco has a gas detector to meet your needs.



CD-6B Carbon Dioxide Monitor

6-Series (12-24V) Fixed Gas Monitor



CD-6B Front View

The CD-6B is a low voltage (12-24 VAC/VDC) monitor that provides three alarm levels using three separate relays for controlling external devices. This helps to maintain acceptable levels of Carbon Dioxide in the beverage and food industries, greenhouses, pharmaceutical, and other chemical processing or other commercial applications. The CD-6B can be used as a stand-alone unit or connected to a burglar/fire panel. The monitor has a high range of 0-5% by vol. (0-50,000PPM) with a recommended coverage area of 900 - 5000 sq. ft.

Key Features

- Easy installation to 4x4 electrical boxes via mud plate
- User selectable settings (Default to industry standards) via two button interface
- 3 - 2A SPDT relays to control relay to control fans, valves, louvers, horn and strobes
- LED display to easily show gas concentrations
- End of life notification
- Field calibration kits available

Applications


- Restaurants
- Breweries
- Refrigeration facilities
- Grow facilities (agriculture, cannabis, etc.)
- Wineries
- Tank storage
- Food processes



CD-6B Rear View

CD-6B Carbon Dioxide Detector

Specifications

Size	4 1/2 x 4 x 2 1/8 in. (11.4 X 10.2 X 5.4 cm)
Weight	1 pound (0.45 kg)
Range	0-5% by vol. (0-50,000PPM)
Low Level Alarm Adjustable (Default)	"diS", 0.25, 0.50 (default), 1.00, 1.50, 2.00, 2.50, 3.00, 3.50, 4.00, 4.50, 5.00%
Medium Level Alarm Adjustable (Default)	"diS", 0.25, 0.50, 1.00, 1.50 (default), 2.00, 2.50, 3.00, 3.50, 4.00, 4.50, 5.00%
High Level Alarm Adjustable (Default)	"diS", 0.25, 0.50, 1.00, 1.50, 2.00, 2.50, 3.00 (default), 3.50, 4.00, 4.50, 5.00%
Sensor Life	15 Years
Recommended Coverage Area	900 - 5,000 sq. ft. (Application dependent)
Voltage/Current	Power: 3 W (max) from 12 to 24 VAC or 12 to 32 VDC: Current (max) @ 24 VDC: 50 mA in alarm (three relays), 40 mA in alarm (two relays), 30 mA (1 relay only), and 25 mA (standby)
Operating Temperature	32°F to 122°F (0°C to 50°C)
Ambient Humidity	10-90% RH NonCondensing
Display	LED (can turn on/off)
Mounting	4" x 4" electrical box
Relays	3 SPDT to switch 2.0A load, up to 240 VAC or 30 VDC User adjustable settings
Certifications	ETL Listed  *See detector manual for additional certifications
Warranty	Two Year Limited Warranty

Accessories

Name	Model Number
Horn and Strobe (4 color options)	HS-C, HS-A, HS-B, HS-C
Duct Mount Kit	DMK-1
Weatherproof Housing Kit	WHK-1
Plug in 24VDC Transformer	PS-24
Calibration Kit	Macurco Cal-Kit 4



Horn and Strobe

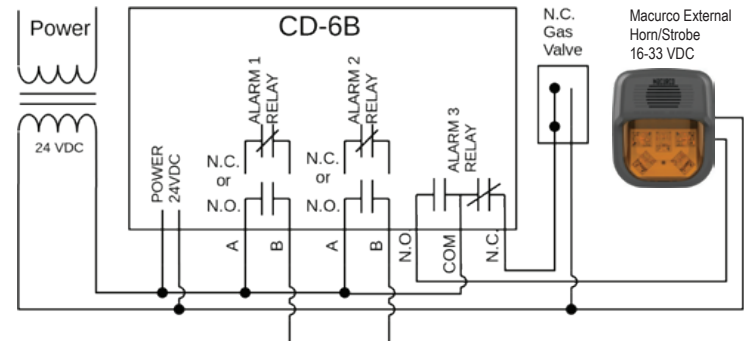


Calibration Kit
(Gas sold separately)



Weatherproof Housing Kit
(Detector sold separately)

Wiring Diagram



Macurco Gas Detection

1504 W. 51st Street
Sioux Falls, SD 57105

Phone: 1-877-367-7891

Website: www.macurco.com

Email: info@macurco.com